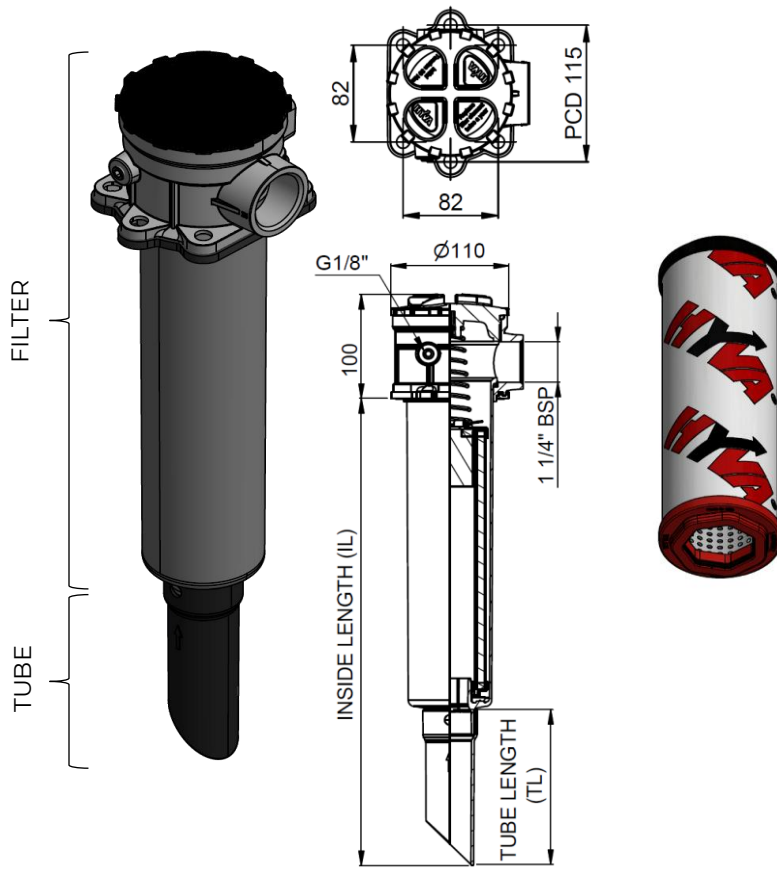
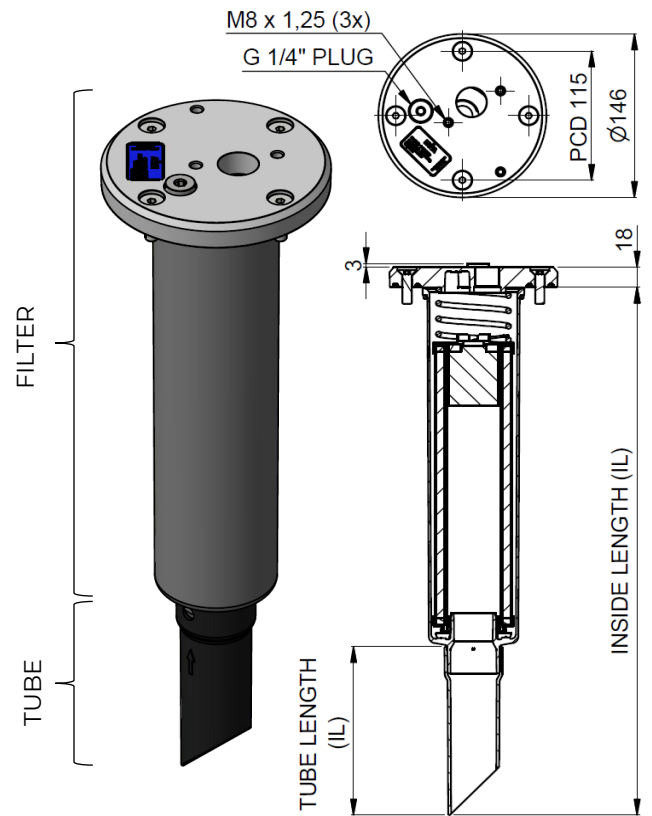


**RETURN FILTER (HOUSE VERSION)**



**RETURN FILTER (PLATE VERSION)**

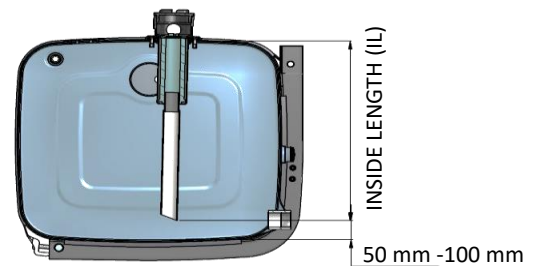


3D model is available on request

**Specifications**

Nominal flow (clean element)	240	L/min
Peak flow	375	L/min
By-pass pressure (-/+10%)	3	bar
Collapse pressure element	10	bar
Filter element	25	µm
Temperature range min/max	-40/+100	°C
Dirt holding capacity	29.4	g
Filter area	1955	cm <sup>2</sup>

**Filter Selection**



Choose filter inside length (IL) in such a way that there is a distance of 50 mm to 100 mm between tank bottom surface and tube end.

**Types & components**

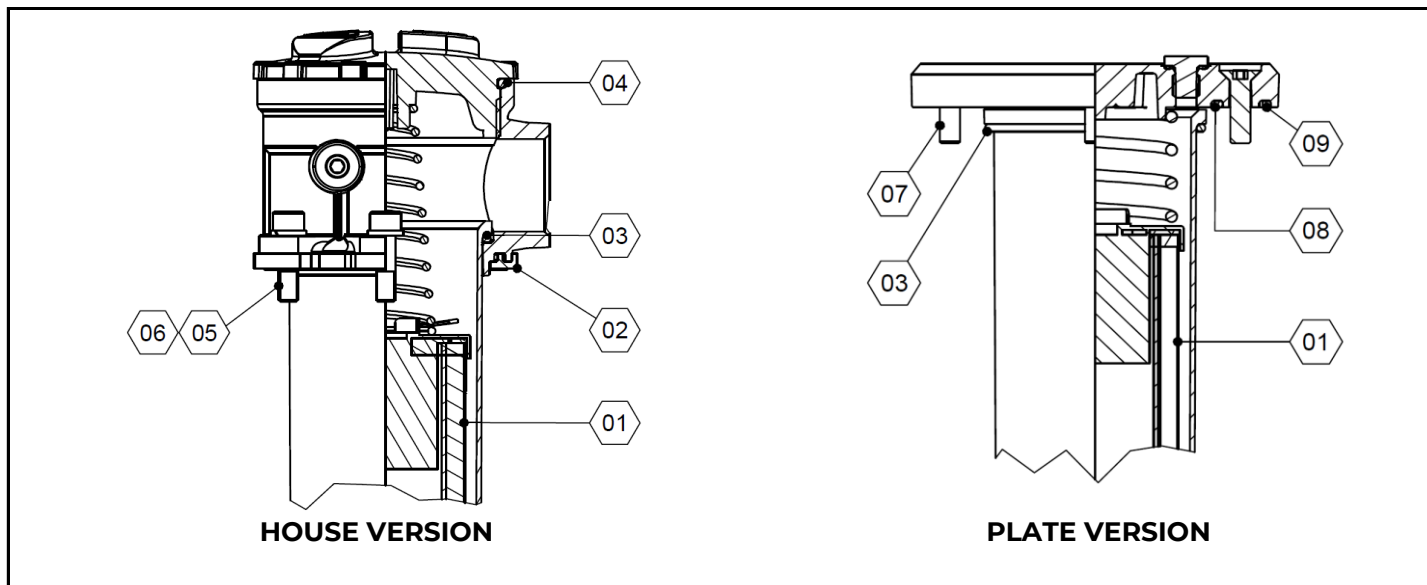
	IL	Full kit	Weight (kg)	Tube length (TL)
House version	449	14780351	1,4	150
	549	14780352	1,4	250
	649	14780353	1,5	350

	IL	Full kit	Weight (kg)	Tube length (TL)
Plate version	469	14895923	1,63	150
	569	14895924	1,68	250
	669	14895925	1,73	350

**Technical notes**

Change the filter element twice a year

Related documentation : FIL-0003



**Spare parts**

**Housing version**

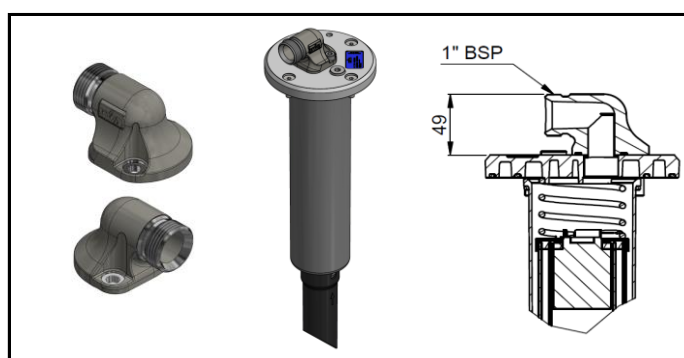
No.	Description	Part No.	Qty.
01	Filter element	14896992	1
-	Seal kit (Parts 02, 03 & 04)	14596971	-
02	Flat Gasket	See seal kit	1
03	Bowl O-Ring	See seal kit	1
04	Cover O-Ring	See seal kit	1
05	Bolt HSHC M8x1,25	15013643	4
06	Washer M8	15022020	4

**Plate version**

No.	Description	Part No.	Qty.
01	Filter element	14896992	1
07	Countersunk bolt M8	15012790	4
-	Seal Kit (Parts 03, 08 & 09)	14596972	-
03	Bowl O-Ring	See seal kit	1
08	Plate O-Ring	See seal kit	1
09	Plate O-Ring	See seal kit	1

**Optional adaptor for plate filter**

Part No.	Description	Qty
01317987	Adaptor kit 90 for return filter-1" BSPOTC	1
see adaptor kit	Adaptor-90-elbow-1"BSPOTC	1
see adaptor kit	Bolt HSHC M8x16x1.25 DIN 912 ZP	2
see adaptor kit	O-ring 34.60x2.62	1



**Hydraulic Symbol**

