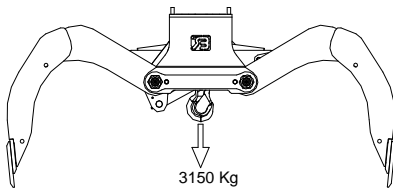
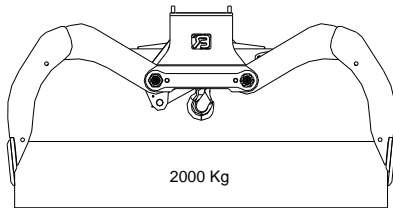


TECHNICAL DATA:

Grab type	:	BDV
Width	:	<input type="checkbox"/> 65 cm <input type="checkbox"/> 90 cm <input type="checkbox"/> 120 cm <input type="checkbox"/> 80 cm <input type="checkbox"/> 100 cm
Capacity	:	<input type="checkbox"/> 300 L <input type="checkbox"/> 450 L <input type="checkbox"/> 600 L <input type="checkbox"/> 400 L <input type="checkbox"/> 500 L
Weight	:	<input type="checkbox"/> 340 kg <input type="checkbox"/> 425 kg <input type="checkbox"/> 505 kg <input type="checkbox"/> 385 kg <input type="checkbox"/> 445 kg
Max. working pressure	:	200 Bar
Press strength	:	30 kN
Max. hoisting load	:	

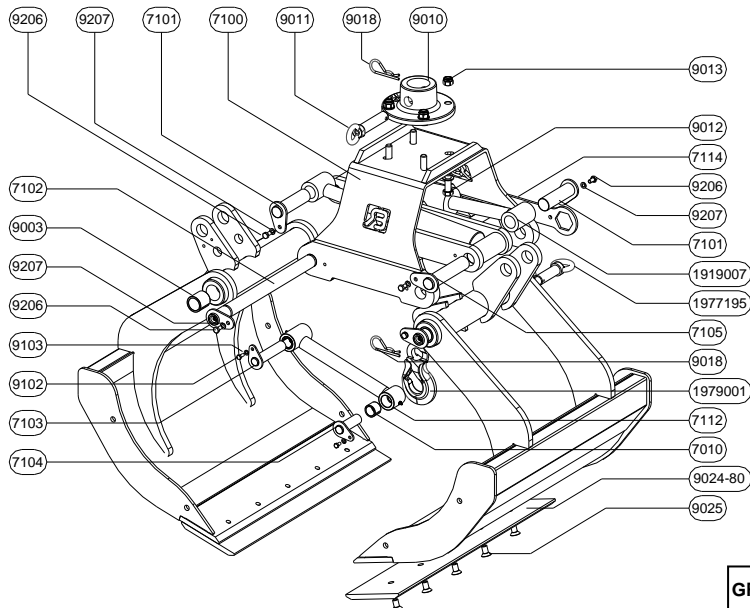


Maximum oil flow in non-return valve: 80 L./min.

Bakker hydraulic products
 Nijverheidsweg 6 6662 NG Elst
 Telephone: + 31.481.37.47.57
 Telefax: + 31.481.37.52.80



BDV



PART NO	QUANTITY	SPECIFICATION
---------	----------	---------------

BDV-7010	4	SPLIT BUSH
BDV-7100	1	SADDLE PLATE
BDV-7101	2	SHAFT
BDV-7102	2	SHAFT
BDV-7103	1	PIN
BDV-7104	1	PIN
BDV-7105	2	SHAFT
BDV-7112	1	STEADY LINK
BDV-7114	1	LOCKING SPANNER
BDV-9003	4	SPLIT BUSH
BDV-9010	1	SUSPENSION PLATE
BDV-9011	1	SUSPENSION PIN
BDV-9012	4	BOLT
BDV-9013	4	NUT
BDV-9018	1	HAIRPIN SPRING
BDV-9024	2	BLADE
BDV-9025	see chart	BOLT
BDV-9102	2	BOLT
BDV-9103	2	WASHER
BDV-9206	8	BOLT
BDV-9207	8	SPRING WASHER
BDV-1919007	2	CYLINDER
BDV-1979001	1	HOISTING HOOK
BDV-1977195	1	PIN

GRAB TYPE	BDV-65	BDV-80	BDV-90	BDV-100	BDV-120
NUMBER OF BOLTS BDV-9025	10	10	14	14	18