

TECHNICAL DATA :

Grab type : BDVEZ

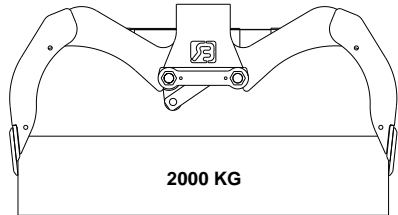
Width : 80 cm 90 cm 100 cm

Capacity : 315 L 355 L 395 L

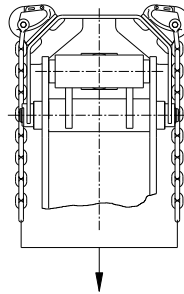
Weight : 415 kg 430 kg 445 kg

Max. working pressure : 200 Bar

Press strength : 30 kN



Max. hoisting load:



Maximum oil flow in non-return valve: 80 L./min.

© 2010 Bakker Hydraulic Products B.V.
Nijverheidsweg 6

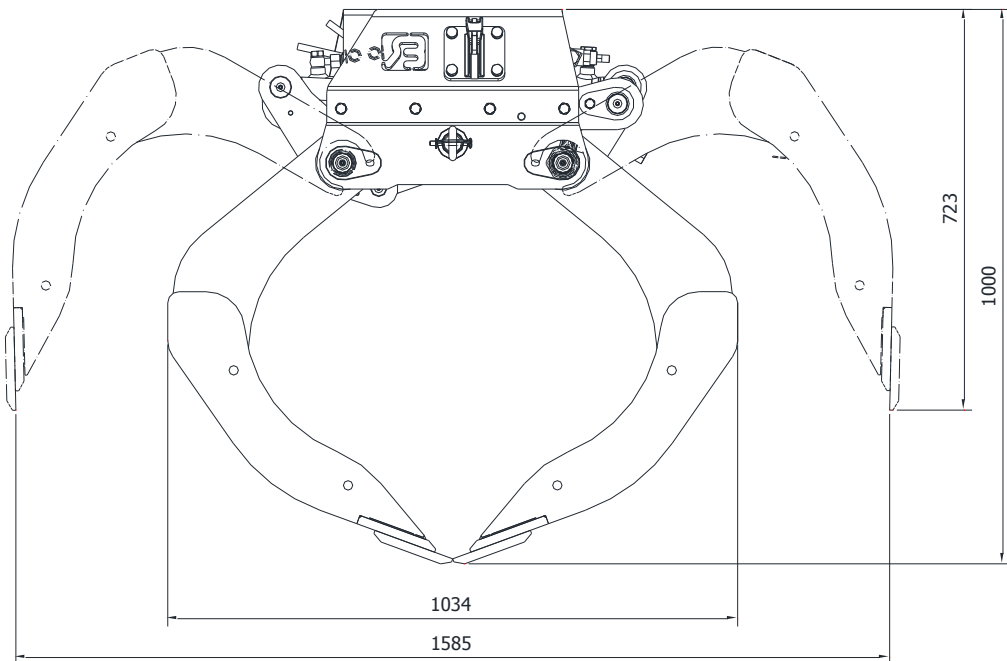
6662 NG Elst (Gld) The Netherlands

Tel : + 31 481 374757

Fax : + 31 481 375280

Site : www.bakker-hydraulic.com

E-mail : info@bakker-hydraulic.com



© 2010 Bakker Hydraulic Products B.V.

Nijverheidsweg 6

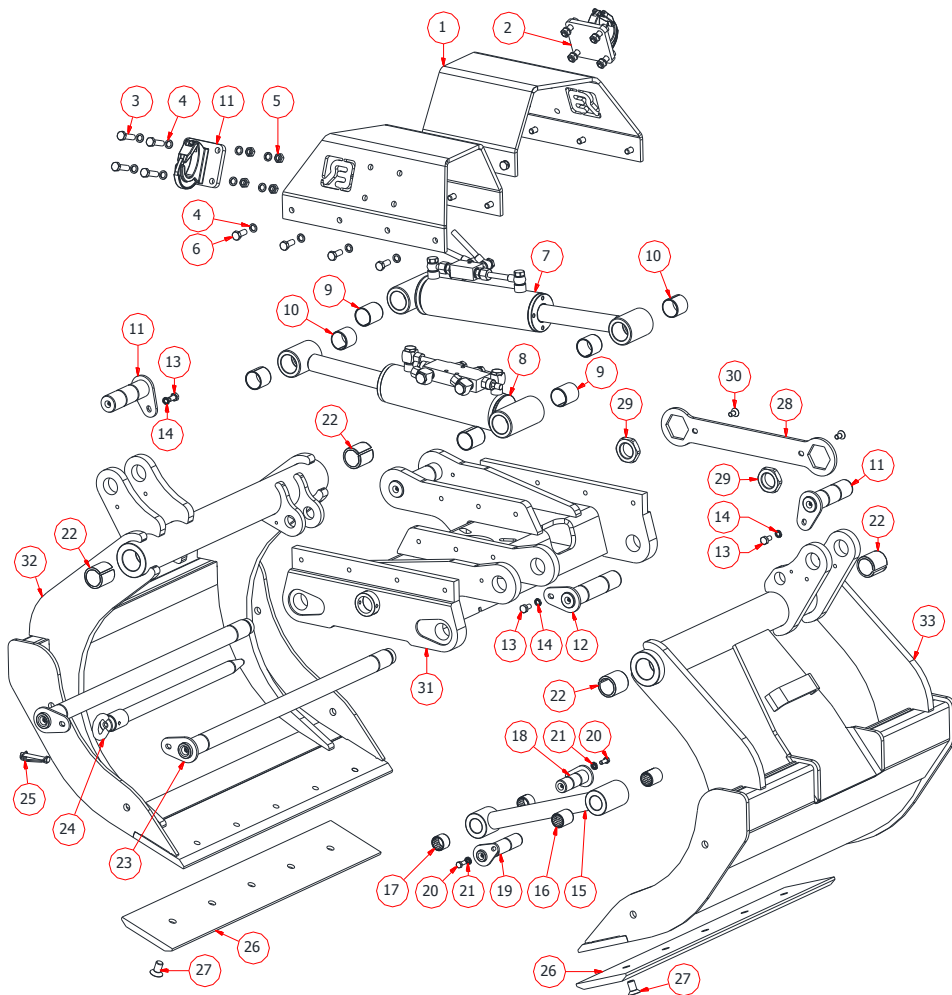
6662 NG Elst (Gld) The Netherlands

Tel : + 31 481 374757

Fax : + 31 481 375280

Site : www.bakker-hydraulic.com

E-mail : info@bakker-hydraulic.com



© 2010 Bakker Hydraulic Products B.V.
 Nijverheidsweg 6

6662 NG Elst (Gld) The Netherlands

Tel : + 31 481 374757

Fax : + 31 481 375280

Site : www.bakker-hydraulic.com

E-mail : info@bakker-hydraulic.com

| Pos | Part No. | Quantity | Specification |
|-----|-----------|-----------|--------------------------------|
| 1 | 75048 | 2 | Hood |
| 2 | 75049 | 2 | Hoisting hook |
| 3 | 75070 | 8 | Bolt |
| 4 | 7769 | 30 | Lock washer |
| 5 | 7888 | 8 | Nut |
| 6 | 75068 | 14 | Bout |
| 7 | 1919007-2 | 1 | Cylinder with non-return valve |
| 8 | 1919007 | 1 | Cylinder with brake valve |
| 9 | 7435 | 2 | Sleeve bearing |
| 10 | 7436 | 2 | Sleeve bearing |
| 11 | 7101 | 2 | Cylinder pin short |
| 12 | 7105 | 2 | Cylinder pin long |
| 13 | 9206 | 4 | Bolt |
| 14 | 9207 | 2 | Lock washer |
| 15 | 7434 | 1 | Steady link |
| 16 | 7338 | 2 | Sleeve bearing |
| 17 | 7339 | 2 | Sleeve bearing |
| 18 | 7104 | 1 | Pin short |
| 19 | 7103 | 1 | Pin long |
| 20 | 9102 | 2 | Bolt |
| 21 | 7208 | 2 | Lock washer |
| 22 | 9003 | 4 | Split bush |
| 23 | 7136 | 2 | Shaft |
| 24 | 7137 | 1 | Suspension pin |
| 25 | 75082 | 1 | Circlips |
| 26 | 7138 | 2 | Blade |
| 27 | 9025 | see chart | Bolt |
| 28 | 7114 | 1 | Locking spanner |
| 29 | 9205 | 2 | Nut |
| 30 | 7408 | 2 | Bolt |
| 31 | 75067 | 1 | Saddle plate |
| 32 | 75079 | 1 | Scale left |
| 33 | 75080 | 4 | Scale right |

| | | | |
|---------------------|----------|----------|-----------|
| Grab type: | BDVEZ-80 | BDVEZ-90 | BDVEZ-100 |
| Quantity BDVEZ-9025 | 10 | 14 | 14 |

© 2010 Bakker Hydraulic Products B.V.
Nijverheidsweg 6

6662 NG Elst (Gld) The Netherlands

Tel : + 31 481 374757

Fax : + 31 481 375280

Site : www.bakker-hydraulic.com

E-mail : info@bakker-hydraulic.com