

TECHNICAL DATA:

Grab type : HBC

Width : 30 cm 50 cm
 40 cm 60 cm

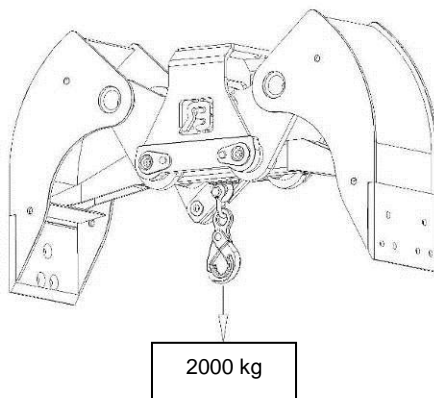
Capacity : 85 Ltr 145 Ltr
 115 Ltr 175 Ltr

Weight : 135 kg 159 kg
 147 kg 170 kg

Max. working pressure : 250 Bar

Press strength : 36 kN.

Max. hoisting load



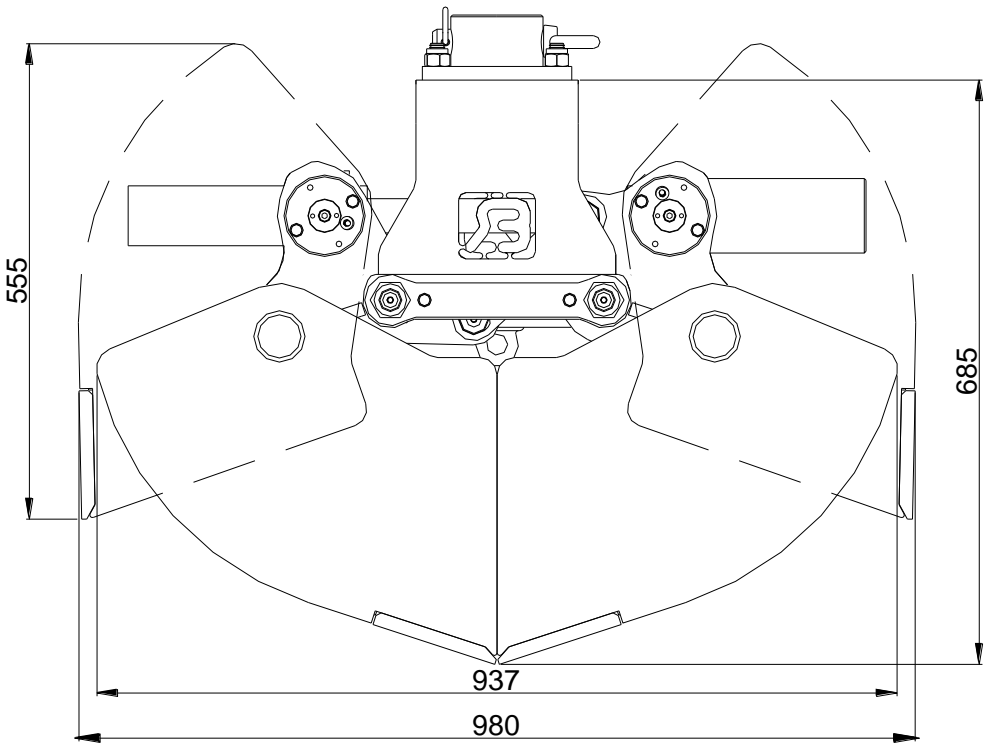
© 2010 Bakker Hydraulic Products BV
Nijverheidsweg 6
6662 NG Elst (Gld) The Netherlands

Tel : + 31 481 374757

Fax : + 31 481 375280

Site : www.bakker-hydraulic.com

E-mail : info@bakker-hydraulic.com



© 2010 Bakker Hydraulic Products BV
Nijverheidsweg 6
6662 NG Elst (Gld) The Netherlands

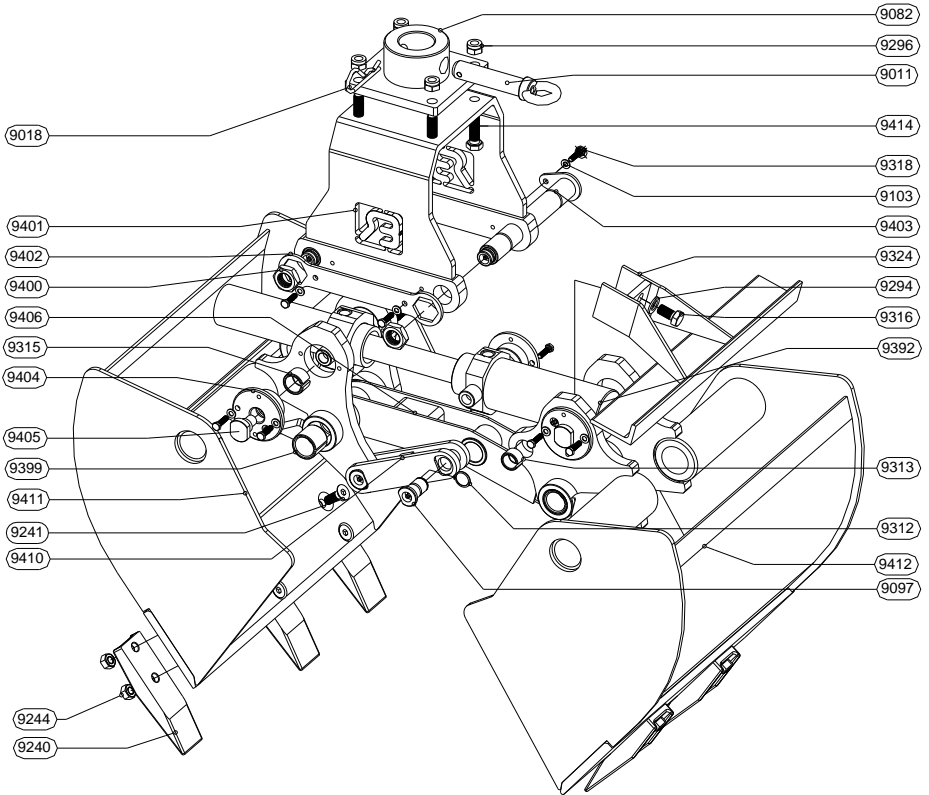
Tel : + 31 481 374757

Fax : + 31 481 375280

Site : www.bakker-hydraulic.com

E-mail : info@bakker-hydraulic.com

HBC



© 2010 Bakker Hydraulic Products BV
Nijverheidsweg 6

6662 NG Elst (Gld) The Netherlands

Tel : + 31 481 374757

Fax : + 31 481 375280

Site : www.bakker-hydraulic.com

E-mail : info@bakker-hydraulic.com

SPARE PARTS

PART N ^o	QUANTITY	SPECIFICATION				
HBC-9011	1	CONNECTOR PIN				
HBC-9018	1	HAIRPIN SPRING				
HBC-9082	1	CONNECTOR PLATE				
HBC-9097	2	PIN				
HBC-9103	12	SPRING WASHER				
HBC-9240	see chart	TOOTH				
HBC-9241	see chart	BOLT				
HBC-9244	see chart	NUT				
HBC-9294	4	SPRING WASHER				
HBC-9296	4	NUT				
HBC-9312	2	CIRCLIP Ø 25 MM				
HBC-9313	2	SPLIT BUSH				
HBC-9315	4	SPLIT BUSH				
HBC-9316	4	BOLT				
HBC-9318	12	BOLT				
HBC-9324	2	EJECTOR				
HBC-9392	1	CYLINDER				
HBC-9399	4	SPLIT BUSH				
HBC-9400	2	NUT				
HBC-9401	1	SADDLE PLATE				
HBC-9402	1	LOCKING SPANNER				
HBC-9403	2	SHAFT				
HBC-9404	4	FLANGED BUSH				
HBC-9405	4	SECURING BOLT				
HBC-9406	1	BASE OF EJECTOR				
HBC-9410	1	STEADY LINK				
HBC-9414	4	BOLT				
GRAB TYPE:		HBC-30	HBC-40	HBC-50	HBC-60	
NUMBER: HBC-9241/9244	6	10	10	10		
NUMBER: HBC-9240	3	5	5	5		

© 2010 Bakker Hydraulic Products BV

Nijverheidsweg 6

6662 NG Elst (Gld) The Netherlands

Tel : + 31 481 374757

Fax : + 31 481 375280

Site : www.bakker-hydraulic.com

E-mail : info@bakker-hydraulic.com