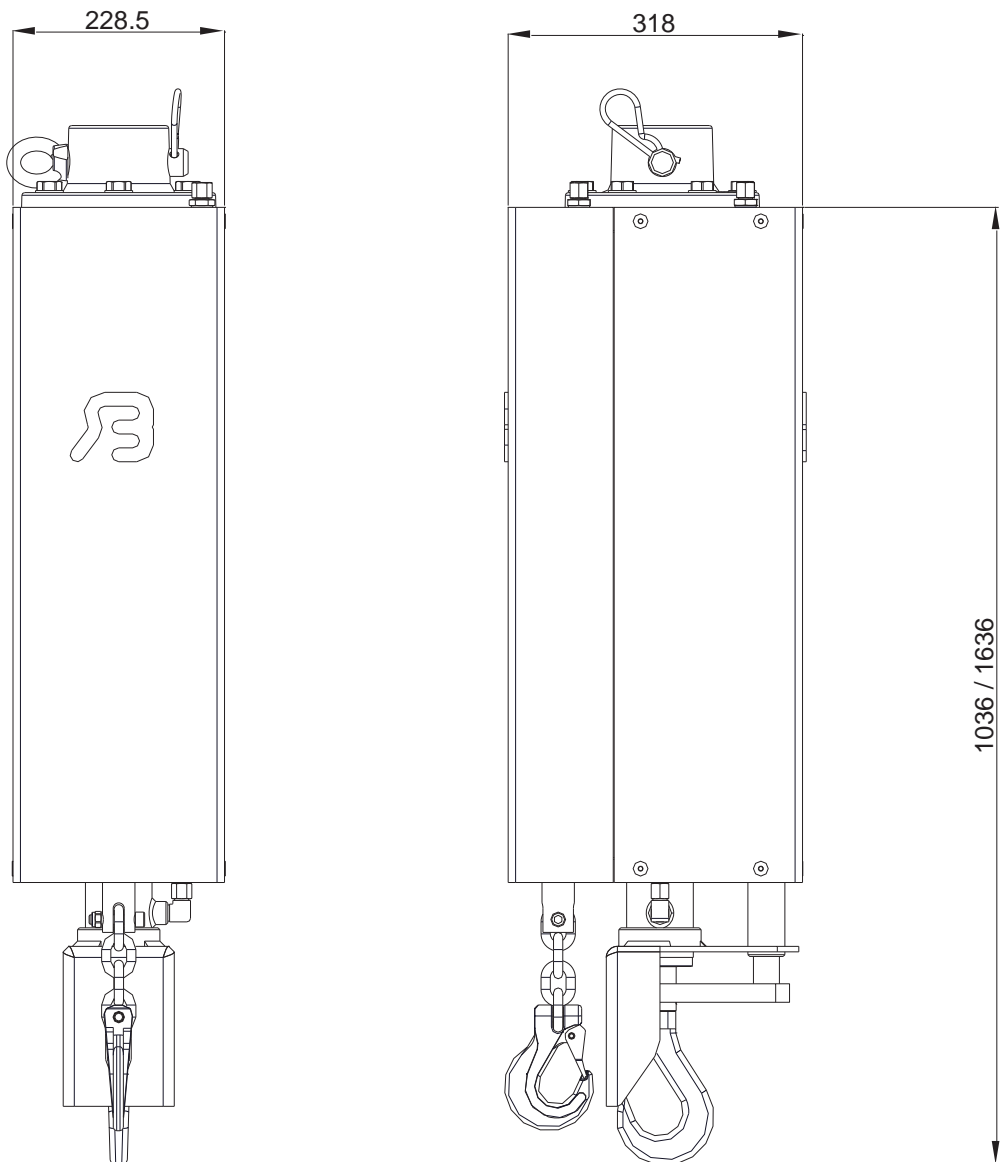
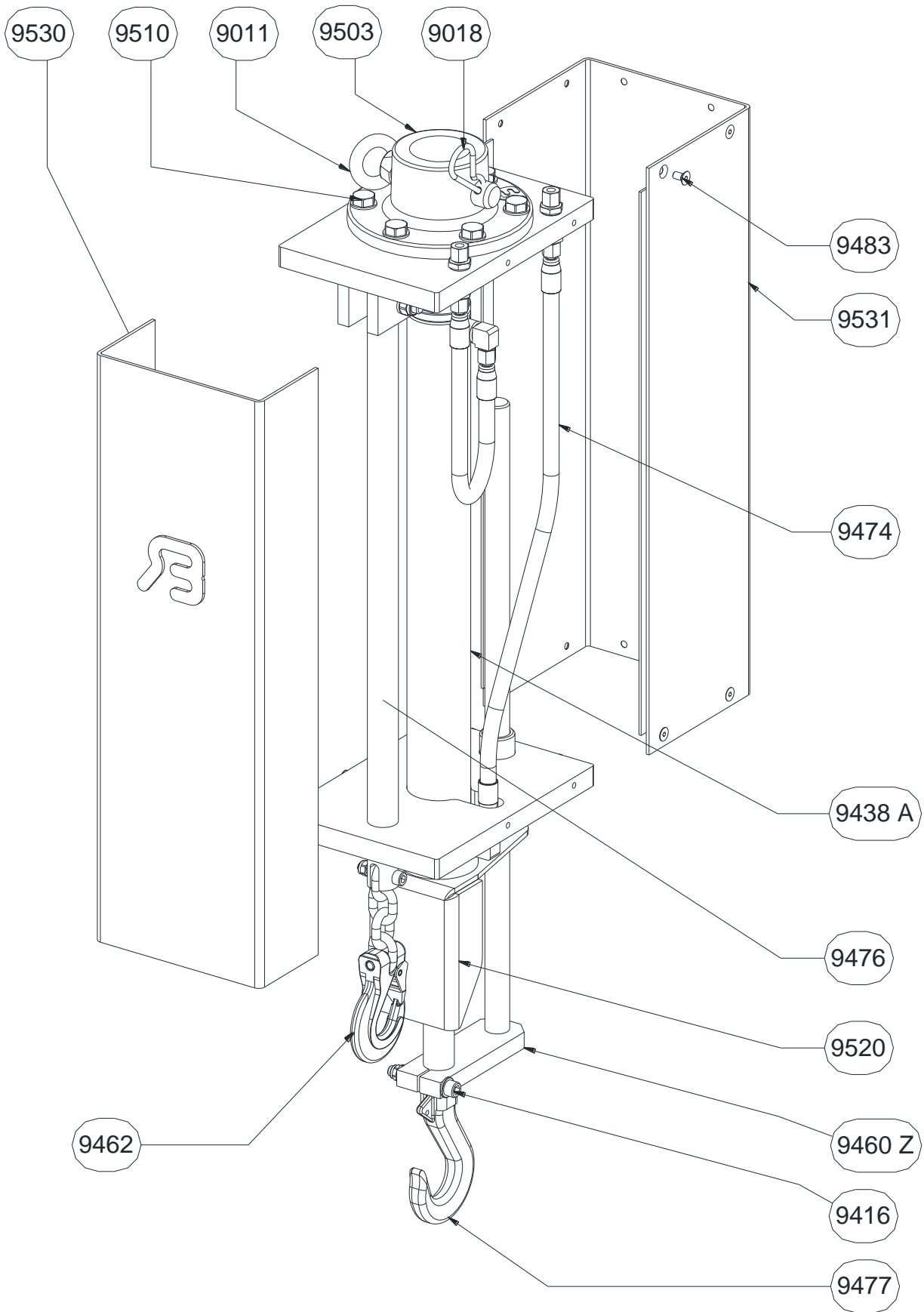


TECHNICAL DATA:

| | |
|--------------------------|-----------------|
| Type of hook grab | : GEJO 5 Rev. A |
| Height adjustment | : 600 mm |
| Weight | : 75 Kg |
| Maximum working pressure | : 220 bars |
| Maximum load | : 3000 kg |
| Maximum oil flow | : 80 l/min |

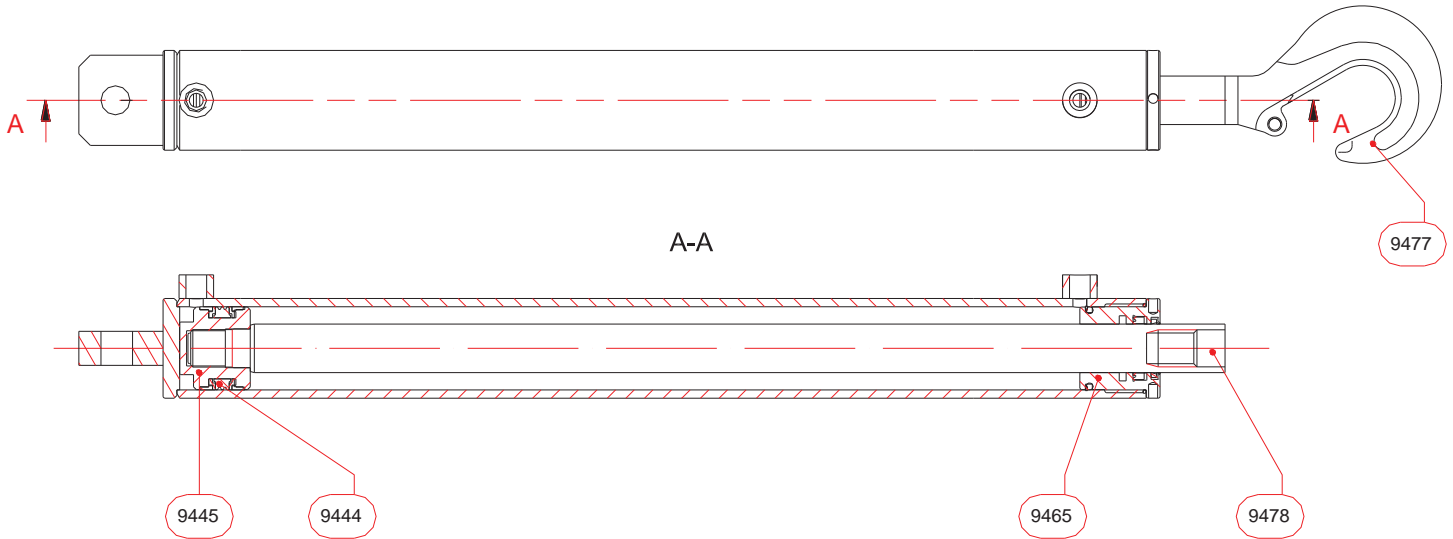




SPARE PARTS

| No. | Description | Quantity |
|-------|-----------------------|----------|
| 9011 | Suspension pin | 1 |
| 9018 | Hair pin spring | 1 |
| 9416 | Bolt | 1 |
| 9438A | Cylinder 35-60-600 | 1 |
| 9460Z | Piston rod guiding | 1 |
| 9462 | Hook | 1 |
| 9474 | Hose | 2 |
| 9476 | Connecting rod | 1 |
| 9477 | Hoisting hook | 1 |
| 9483 | Bolt | 12 |
| 9503 | Suspension plate | 1 |
| 9510 | Bolt | 6 |
| 9520 | Hook safety | 1 |
| 9530 | Protecting hood front | 1 |
| 9531 | Protecting hood back | 1 |

Cylinder 9438A 35-60-600



| No. | Description | Quantity |
|------|-------------|----------|
| 9444 | Seals | 1 |
| 9445 | Piston | 1 |
| 9465 | Head bush | 1 |
| 9477 | Hook | 1 |
| 9478 | Piston rod | 1 |