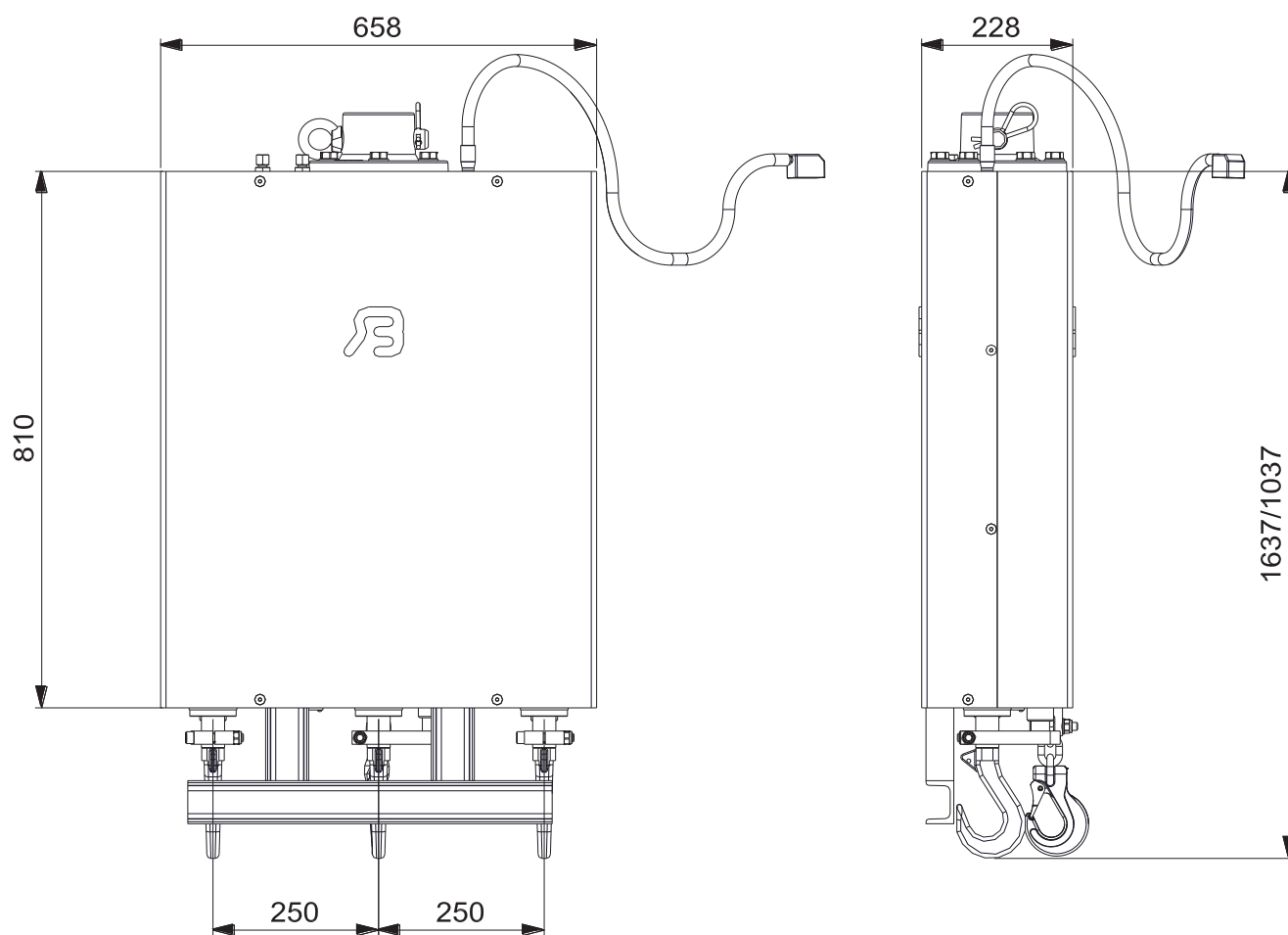


## TECHNICAL DATA

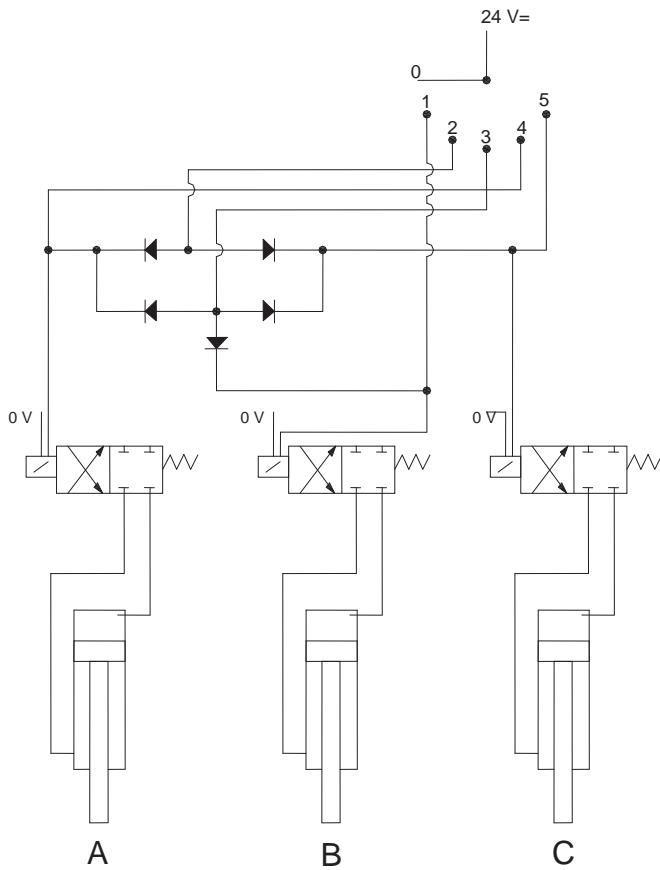
Type of hook grab	:	<b>GEJO 10 rev C</b>
Width between the hooks	:	250 mm
Height adjustment	:	600 mm
Weight	:	215 kg
Maximum working pressure	:	220 bar
Maximum load	:	3000 kg
Maximum oil flow	:	80 l/min
Electrical connection	:	24 volt DC



BAKKER HYDRAULIC PRODUCTS b.v.  
 Nijverheidsweg 6 6662 NG Elst  
 Telefoon: 0031.481-374757  
 Telefax: 0031.481-375280



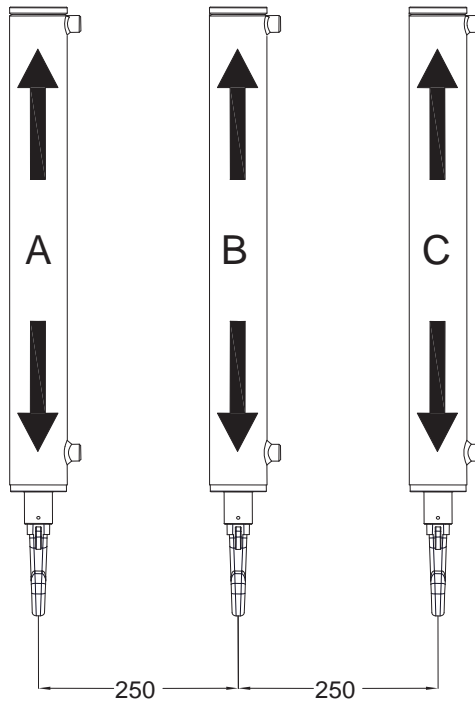
Step switch



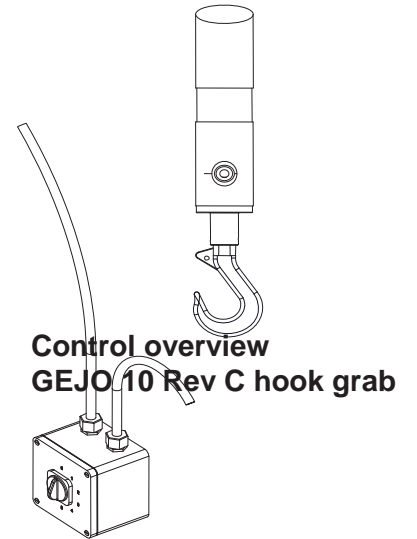
1	B
2	A + C
3	A + B + C
4	A
5	C

Electrical and hydraulic  
 diagram GEJO 20 hook grab

Bakker Hydraulic Products  
Nijverheidsweg 6 6662 NG Elst  
Telefoon: 0031-481-374757  
Telefax: 0031-481-375280



Switch position	Cylinder
1	B
2	A+C
3	A+B+C
4	A
5	C

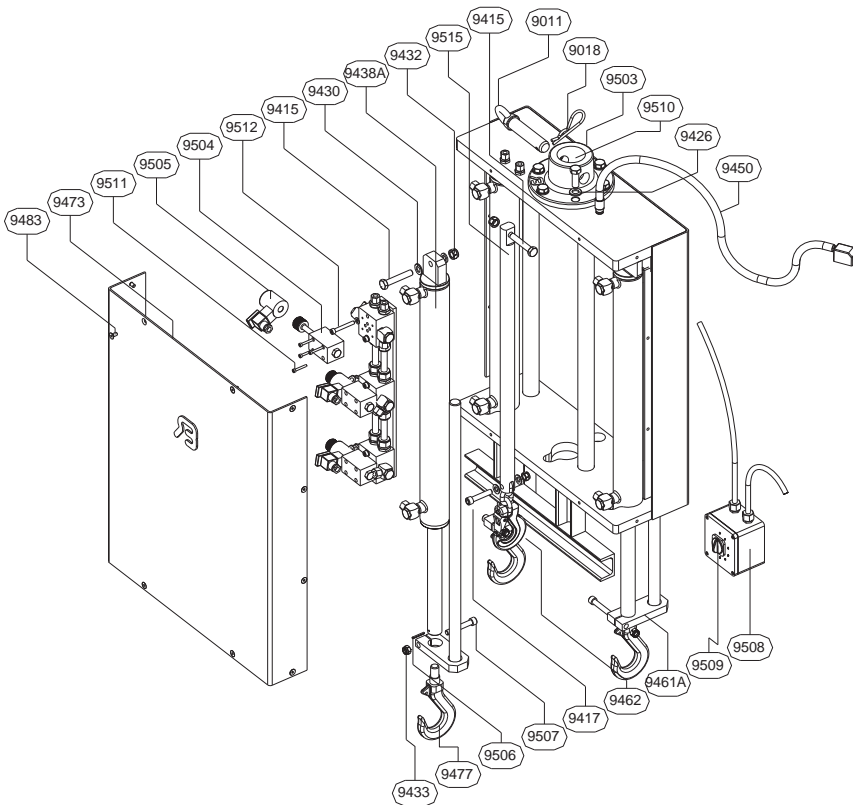


**Bakker Hydraulic Products**  
 Nijverheidsweg 6 6662 NG Elst  
 Telefoon: 0031-481-374757  
 Telefax: 0031-481-375280



## Hook grab GEJO 10 Rev C

### SPARE PARTS

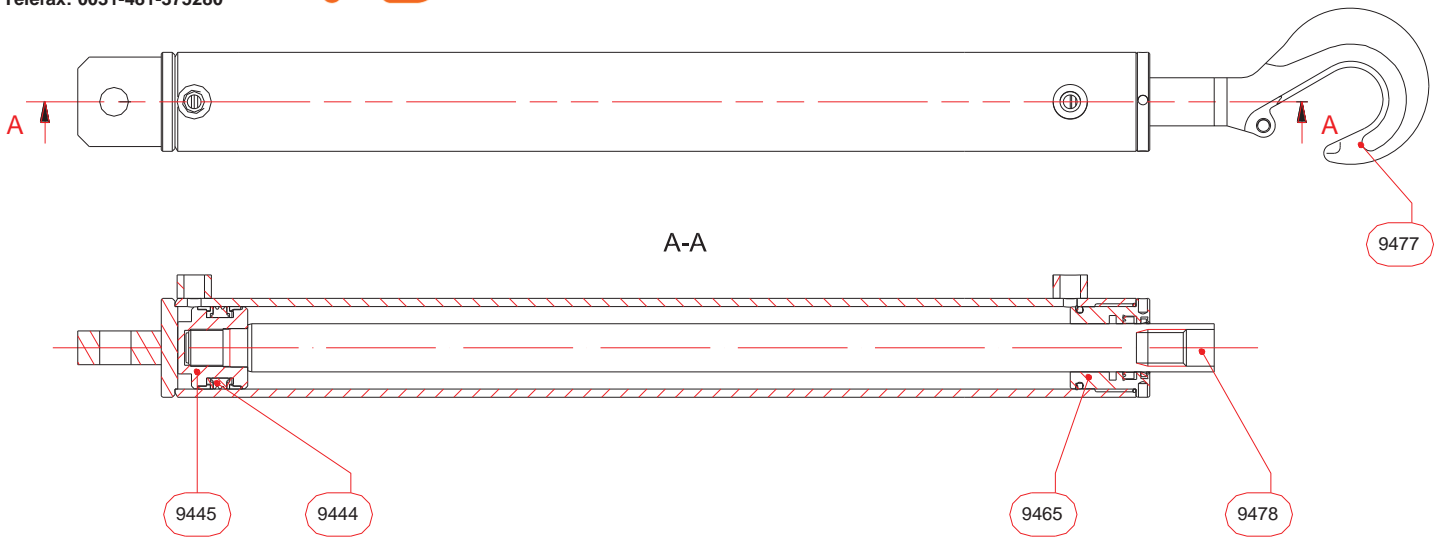


No.	Description	Quantity
9011	Suspension pin	1
9018	Hairpin spring for connector pin	1
9415	Bolt	4
9417	Bolt	1
9426	Washer	6
9430	Spring washer	3
9432	Locking nut M 14	4
9433	Locking nut M 12	4
9438A	Cylinder 35-60-600	3
9450	Connecting hose	1
9451	Connecting set inside	1
9461A	Guide piston rod	3
9462	Hook	1
9473	Protecting hood front	1
9477	Hoisting hook	3
9483	Bolt	10
9503	Suspension plate	1
9504	Valve	3
9505	Coil 24V (valve 9504)	3
9506	Roll pin	3
9507	Bolt	3
9508	Electrical set incl. 5-step switch	1
9509	5-step switch	1
9510	Bolt	6
9511	Bolt	12
9512	Bolt	6
9515	Pull rod	1

Bakker Hydraulic Products  
 Nijverheidsweg 6 6662 NG Elst  
 Telefoon: 0031-481-374757  
 Telefax: 0031-481-375280



## 9438 A Cylinder 35-60-600 GEJO 10/20



### SPARE PARTS

No.	SPECIFICATION	QUANTITY
9444	CYLINDER SEALS	1
9445	PISTON	1
9465	HEAD BUSH	1
9477	HOISTING HOOK	1
9478	PISTON ROD	1