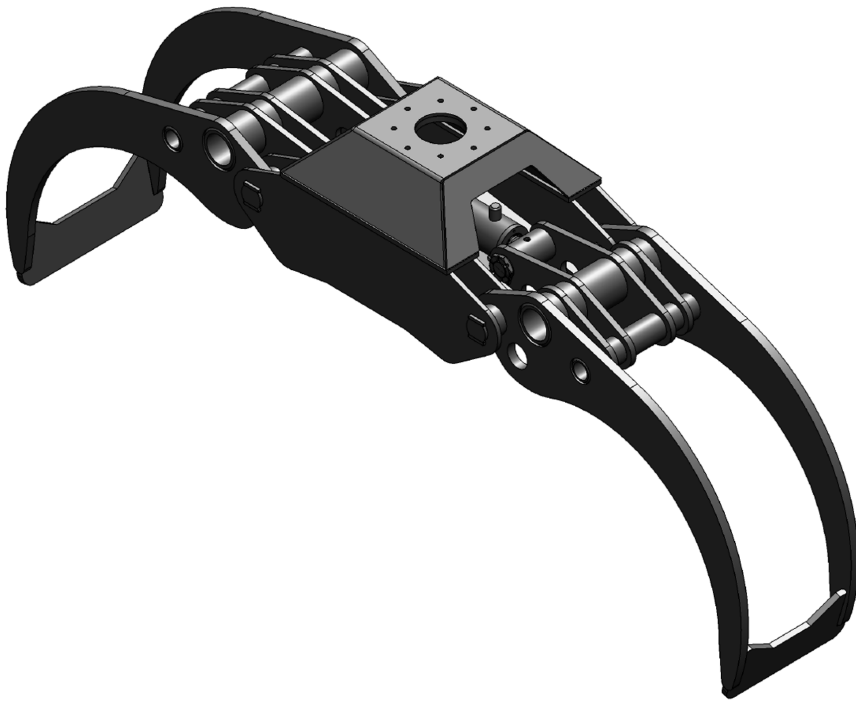
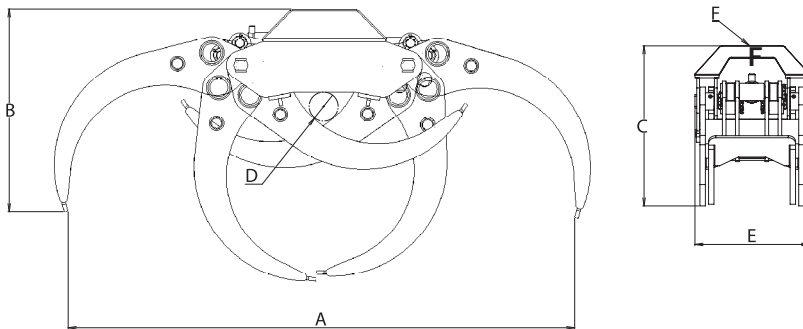


# TIGERGRIP / TG 80 SM



## KEY FEATURES

- Heavy duty
- Double guide bars
- Optimized roll in/roll out properties
- High pressure cylinder with double piston rod seals
- High tensile wear resistant steel (400 HB)
- Extra reinforced body for rigid mounting - excavator design



<b>A</b>	2780
<b>B</b>	1176
<b>C</b>	900
<b>D</b>	170
<b>E</b>	632

## MODEL SPECIFICATIONS



TG 80 SM	980	0,80	300	90	22	30	10	25	30			
----------	-----	------	-----	----	----	----	----	----	----	--	--	--

# INTERMERCATO

High performance lift and load attachments for Forestry, Transport, Construction and Recycling.

