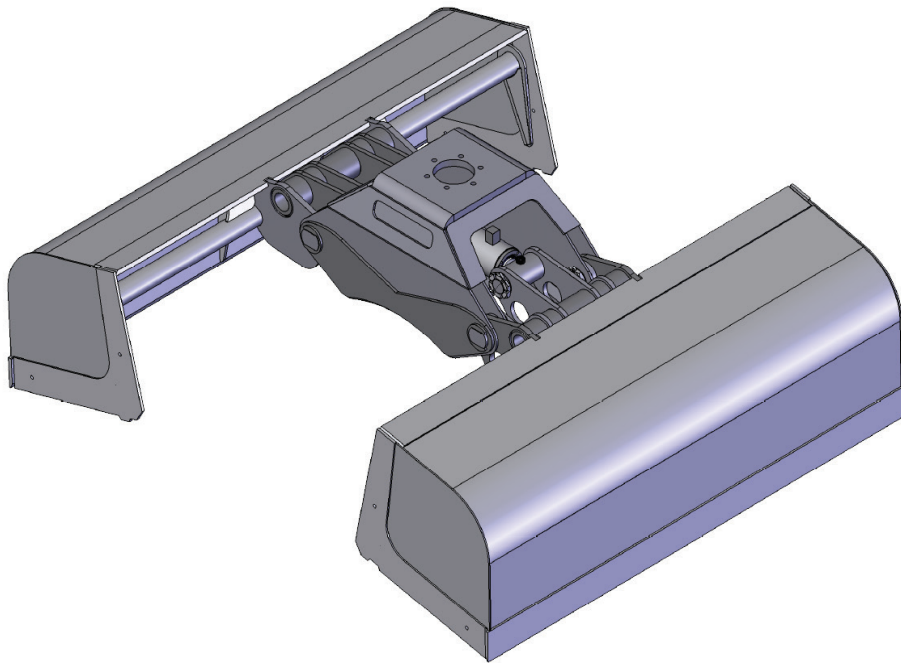
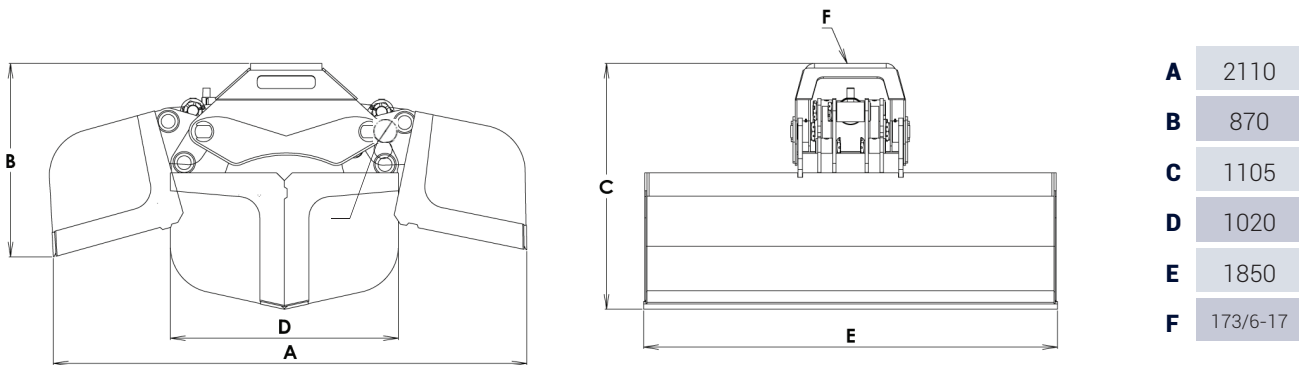


TIGERGRIP / TGC 1000



KEY FEATURES

- Heavy duty
- Double guide bars
- Cylinder with double piston rod seals for high pressures
- High tensile wear resistant steel (400 HB)



MODEL SPECIFICATIONS



TGC 1000	663	1000	250	70	20	17	1,5				
----------	-----	------	-----	----	----	----	-----	--	--	--	--

INTERMERCATO

High performance lift and load attachments for Forestry, Transport, Construction and Recycling.

