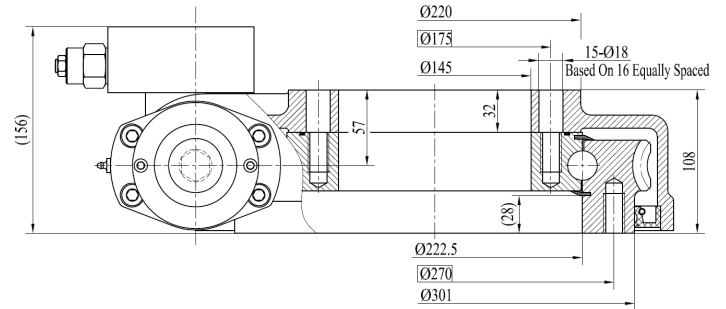
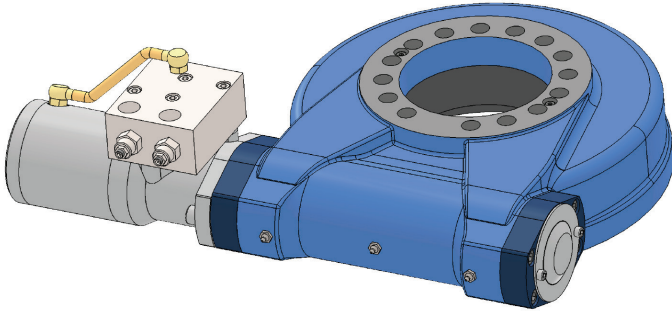


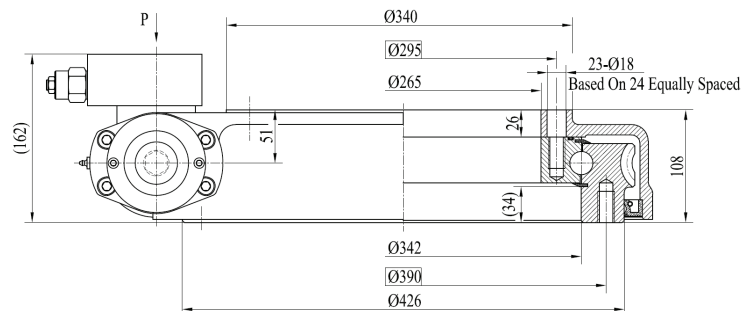
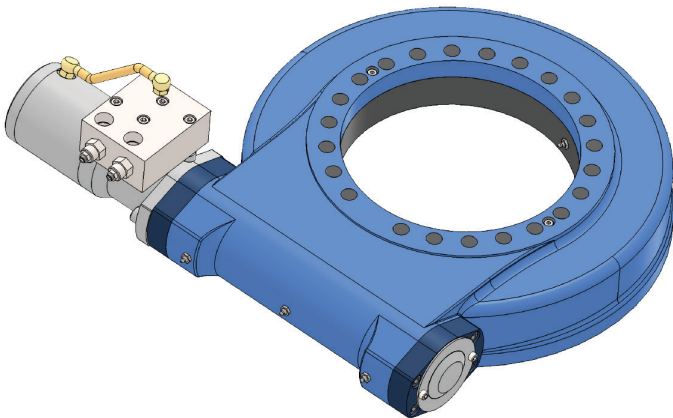
WD 9

NON SELFLOCKING WORM DRIVE



WD 14

NON SELFLOCKING WORM DRIVE



MODEL SPECIFICATIONS



MODEL	Kg	ton	Bar	l/min	Stroke	Radial load static	Rotation speed
WD 9	62	57,8	140	20	2883	Radial load static: 21,5 t	Rotation speed: 5,1 rpm
WD 14	90	96	120	30	3289	Radial load static: 36 t	Rotation speed: 6 rpm