

TECHNICAL DATA :

Grab type : RBOA

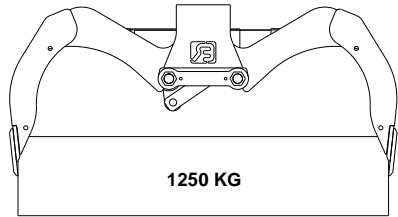
Width :  60 cm     80 cm     100 cm  
 70 cm     90 cm     120 cm

Capacity :  275 L     400 L     500 L  
 335 L     450 L     600 L

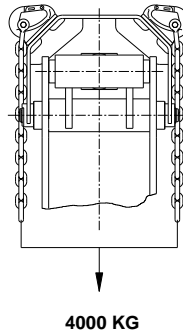
Weight :  300 kg     335 kg     370 kg  
 320 kg     350 kg     400 kg

Max. working pressure : 250 Bar

Press strength : 20 kN

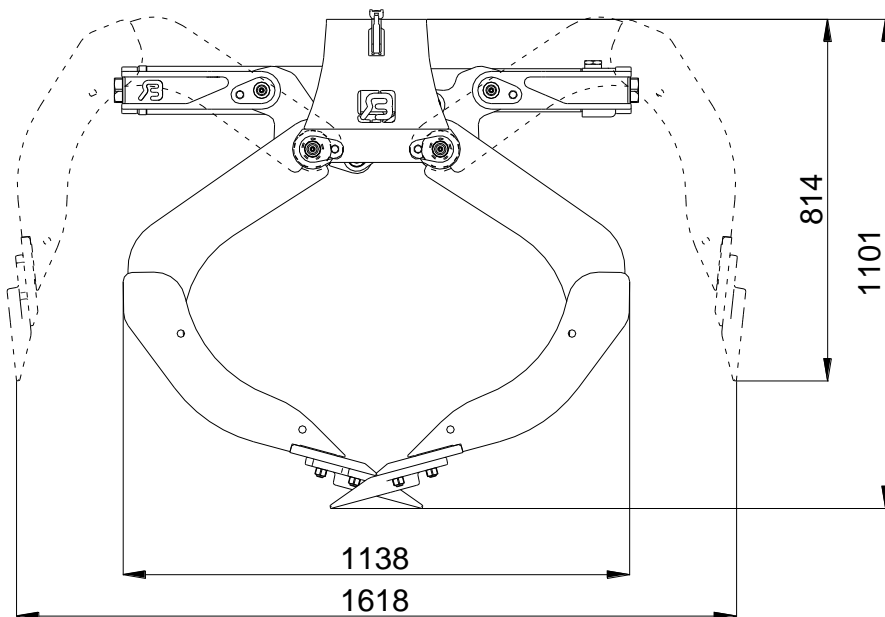


Max. hoisting load:



Maximum oil flow in non-return valve: 80 L./min.

## RBOA



© 2010 Bakker Hydraulic Products B.V.  
Nijverheidsweg 6

6662 NG Elst (Gld) The Netherlands

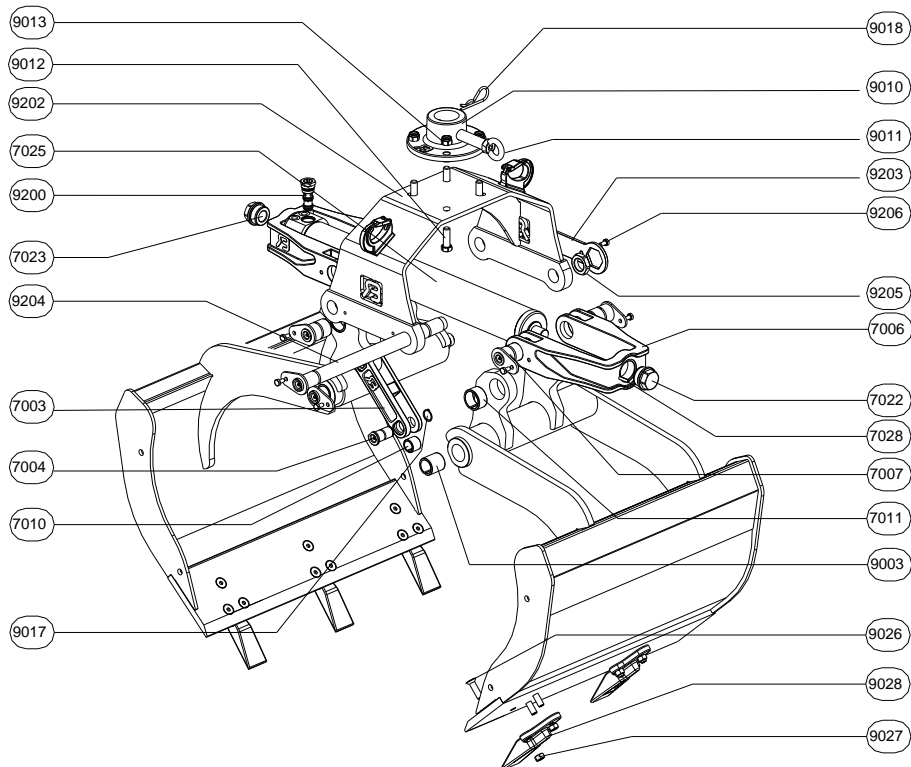
Tel : + 31 481 374757

Fax : + 31 481 375280

Site : [www.bakker-hydraulic.com](http://www.bakker-hydraulic.com)

E-mail : [info@bakker-hydraulic.com](mailto:info@bakker-hydraulic.com)

# RBOA 60-70-80



© 2010 Bakker Hydraulic Products B.V.  
Nijverheidsweg 6

6662 NG Elst (Gld) The Netherlands

Tel : + 31 481 374757

Fax : + 31 481 375280

Site : [www.bakker-hydraulic.com](http://www.bakker-hydraulic.com)

E-mail : [info@bakker-hydraulic.com](mailto:info@bakker-hydraulic.com)

PART NO	QUANTITY	SPECIFICATION
RBOA-7003	1	STEADY LINK
RBOA-7004	2	PIN
RBOA-7006	2	YOKE
RBOA-7007	4	PIN
RBOA-7010	2	SPLIT BUSH
RBOA-7011	4	SPLIT BUSH
RBOA-7022	1	NUT
RBOA-7023	1	NUT
RBOA-7025	1	CYLINDER
RBOA-7028	2	ROLL PIN
RBOA-9003	4	SPLIT BUSH
RBOA-9010	1	CONNECTOR PLATE
RBOA-9011	1	CONNECTOR PIN
RBOA-9012	4	BOLT
RBOA-9013	4	NUT
RBOA-9017	2	CIRCLIP
RBOA-9018	1	HAIRPIN SPRING
RBOA-9026	15	BOLT
RBOA-9027	15	NUT
RBOA-9028	5	TOOTH
RBOA-9200	2	NON RETURN VALVE
RBOA-9202	1	SADDLE PLATE
RBOA-9203	1	LOCKING SPANNER
RBOA-9204	2	SHAFT
RBOA-9205	2	NUT
RBOA-9206	4	BOLT

© 2010 Bakker Hydraulic Products B.V.  
Nijverheidsweg 6

6662 NG Elst (Gld) The Netherlands

Tel : + 31 481 374757

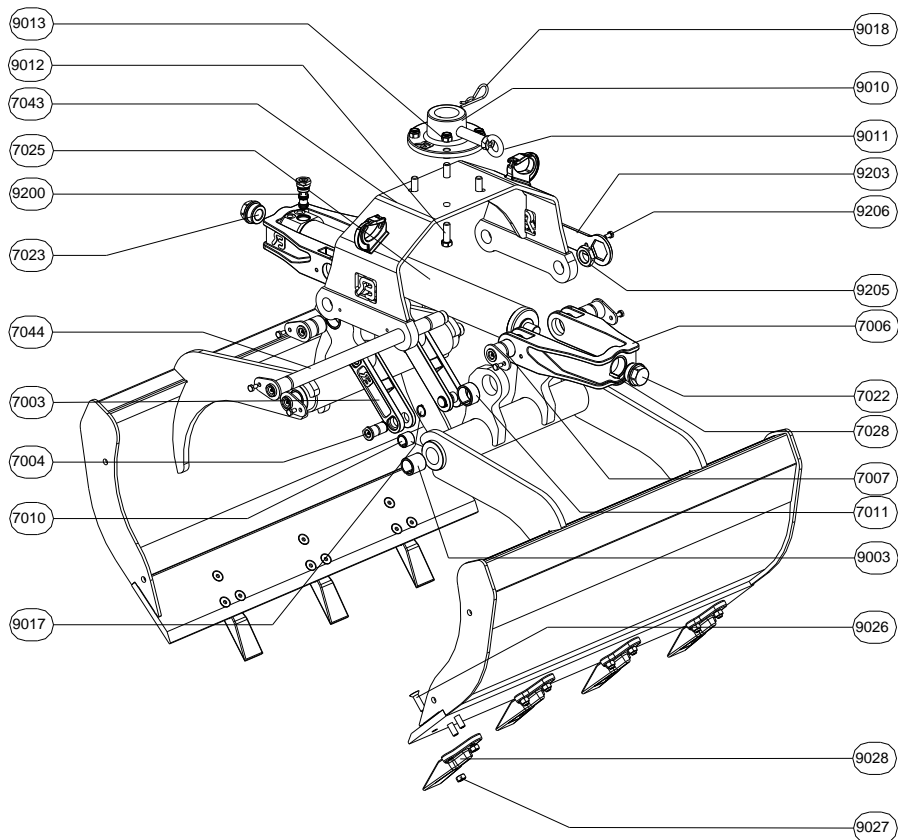
Fax : + 31 481 375280

Site : [www.bakker-hydraulic.com](http://www.bakker-hydraulic.com)

E-mail : [info@bakker-hydraulic.com](mailto:info@bakker-hydraulic.com)

# RBOA

## 90-100-120



© 2010 Bakker Hydraulic Products B.V.  
Nijverheidsweg 6

6662 NG Elst (Gld) The Netherlands

Tel : + 31 481 374757

Fax : + 31 481 375280

Site : [www.bakker-hydraulic.com](http://www.bakker-hydraulic.com)

E-mail : [info@bakker-hydraulic.com](mailto:info@bakker-hydraulic.com)

PART NO	QUANTITY	SPECIFICATION
RBOA-7003	1	STEADY LINK
RBOA-7004	2	PIN
RBOA-7006	2	YOKE
RBOA-7007	4	PIN
RBOA-7010	2	SPLIT BUSH
RBOA-7011	4	SPLIT BUSH
RBOA-7022	1	NUT
RBOA-7023	1	NUT
RBOA-7025	1	CYLINDER
RBOA-7028	2	ROLL PIN
RBOA-9003	4	SPLIT BUSH
RBOA-9010	1	CONNECTOR PLATE
RBOA-9011	1	CONNECTOR PIN
RBOA-9012	4	BOLT
RBOA-9013	4	NUT
RBOA-9017	2	CIRCLIP
RBOA-9018	1	HAIRPIN SPRING
RBOA-9026	21	BOLT
RBOA-9027	21	NUT
RBOA-9028	7	TOOTH
RBOA-9200	2	NON RETURN VALVE
RBOA-9202	1	SADDLE PLATE
RBOA-9203	1	LOCKING SPANNER
RBOA-9204	2	SHAFT
RBOA-9205	2	NUT
RBOA-9206	4	BOLT

© 2010 Bakker Hydraulic Products B.V.  
Nijverheidsweg 6

6662 NG Elst (Gld) The Netherlands

Tel : + 31 481 374757

Fax : + 31 481 375280

Site : [www.bakker-hydraulic.com](http://www.bakker-hydraulic.com)

E-mail : [info@bakker-hydraulic.com](mailto:info@bakker-hydraulic.com)