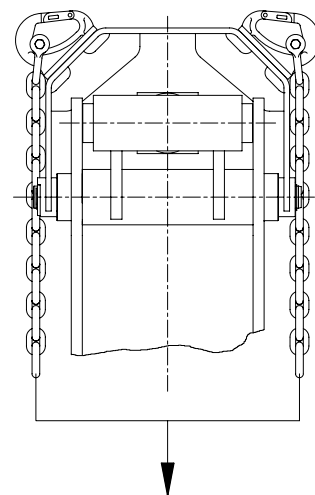
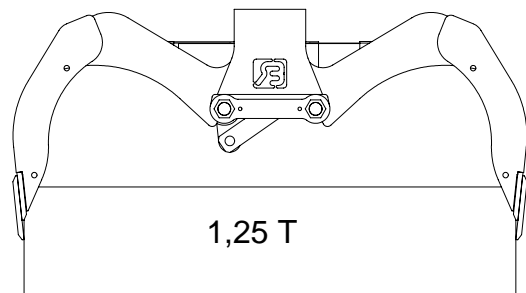




## RLO grab

### TECHNICAL DATA:

Grab type	:	<b>RLO</b>
Width	:	<input type="checkbox"/> 60 cm <input type="checkbox"/> 80 cm <input type="checkbox"/> 100 cm <input type="checkbox"/> 70 cm <input type="checkbox"/> 90 cm <input type="checkbox"/> 120 cm
Capacity	:	<input type="checkbox"/> 275 L <input type="checkbox"/> 400 L <input type="checkbox"/> 500 L <input type="checkbox"/> 335 L <input type="checkbox"/> 450 L <input type="checkbox"/> 600 L
Weight	:	<input type="checkbox"/> 275 kg <input type="checkbox"/> 310 kg <input type="checkbox"/> 345 kg <input type="checkbox"/> 290 kg <input type="checkbox"/> 325 kg <input type="checkbox"/> 380 kg
Max. working pressure	:	<b>250 Bar</b>
Press strength	:	<b>20 kN.</b>
Max. hoisting load	:	

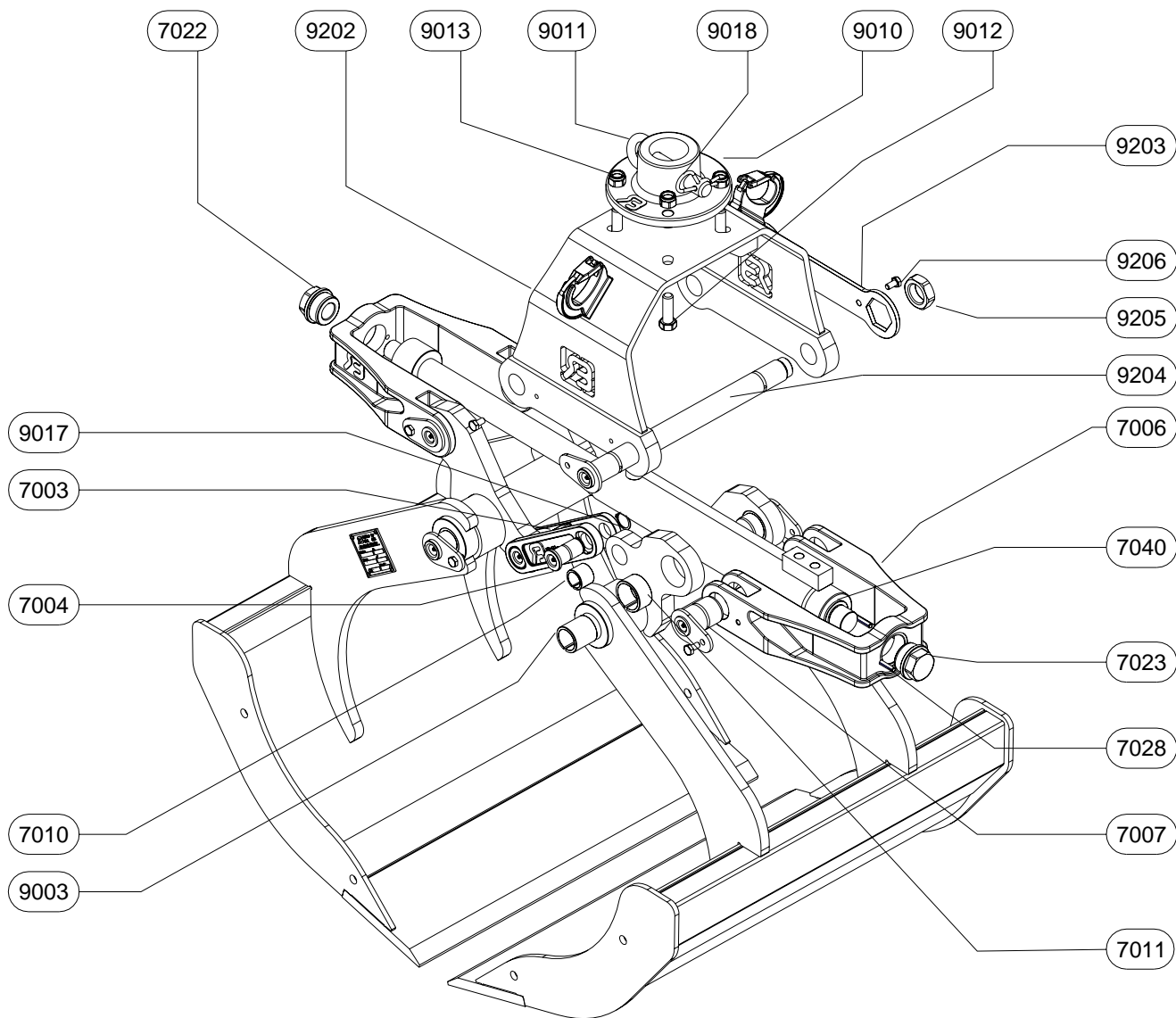


Maximum oil flow in non-return valve: **80 L/min.**

**4. T**



# RLO 60-70-80



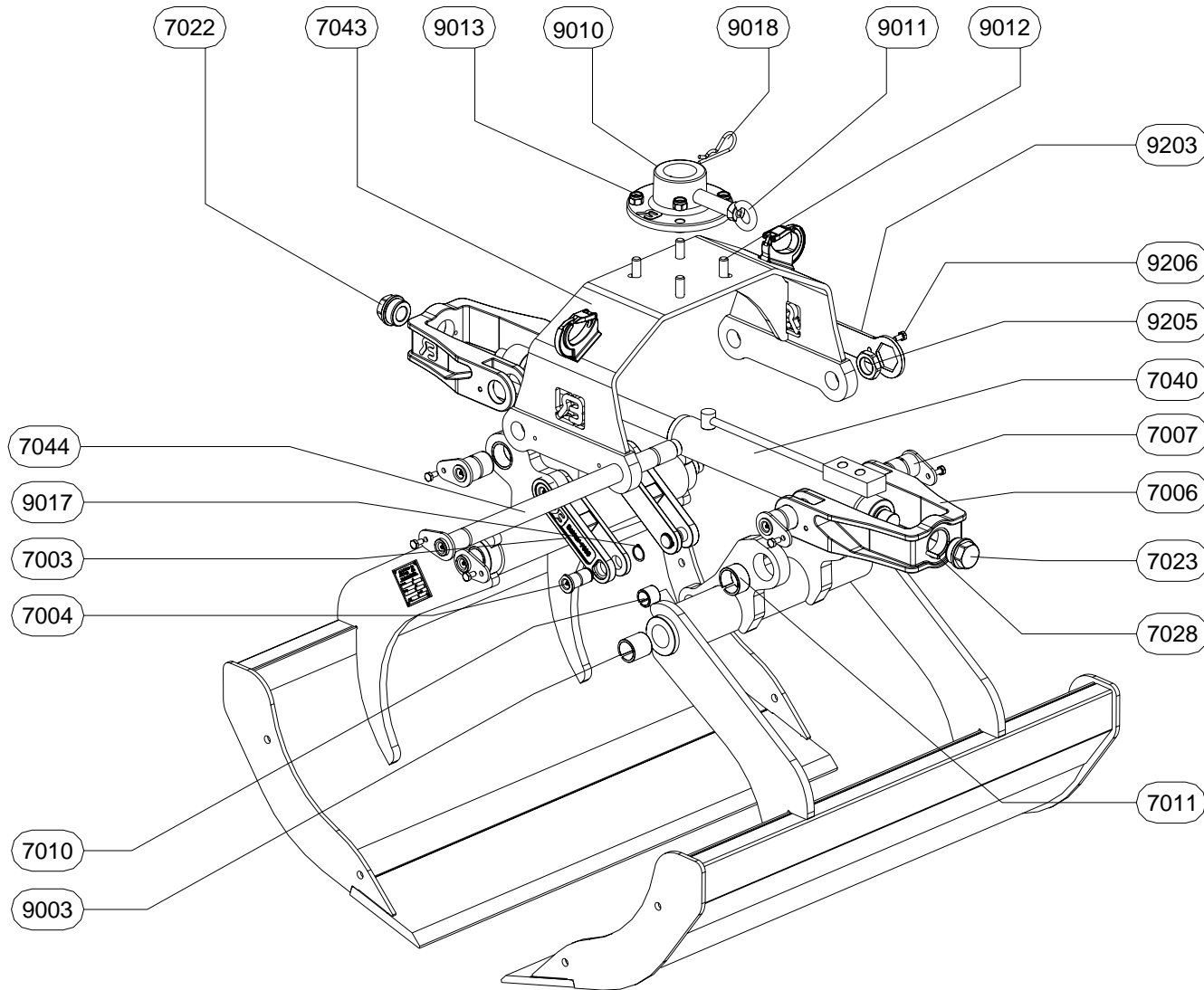
## SPARE PARTS

PART NO	QUANTITY	SPECIFICATION
RLO-7003	1	STEADY LINK
RLO-7004	2	PIN
RLO-7006	2	YOKE
RLO-7007	4	PIN
RLO-7010	2	SPLIT BUSH
RLO-7011	4	SPLIT BUSH
RLO-7022	1	NUT
RLO-7023	1	NUT
RLO-7028	2	ROLL PIN
RLO-7040	1	CYLINDER
RLO-9003	4	SPLIT BUSH
RLO-9010	1	CONNECTOR PLATE
RLO-9011	1	CONNECTOR PIN
RLO-9012	4	BOLT
RLO-9013	4	NUT
RLO-9017	2	CIRCLIP
RLO-9018	1	HAIRPIN SPRING
RLO-9202	1	SADDLE PLATE
RLO-9203	1	LOCKING SPANNER
RLO-9204	2	SHAFT
RLO-9205	2	NUT
RLO-9206	4	BOLT



## RLO 90-100-120

### SPARE PARTS



PART NO	QUANTITY	SPECIFICATION
RLO-7003	2	STEADY LINK
RLO-7004	4	PIN
RLO-7006	2	YOKE
RLO-7007	4	PIN
RLO-7010	4	SPLIT BUSH
RLO-7011	4	SPLIT BUSH
RLO-7022	1	NUT
RLO-7023	1	NUT
RLO-7028	2	ROLL PIN
RLO-7040	1	CYLINDER
RLO-7043	1	SADDLE PLATE
RLO-7044	2	SHAFT
RLO-9003	4	SPLIT BUSH
RLO-9010	1	CONNECTOR PLATE
RLO-9011	1	CONNECTOR PIN
RLO-9012	4	BOLT
RLO-9013	4	NUT
RLO-9017	4	CIRCLIP
RLO-9018	1	HAIRPIN SPRING
RLO-9203	1	LOCKING SPANNER
RLO-9205	2	NUT
RLO-9206	4	BOLT