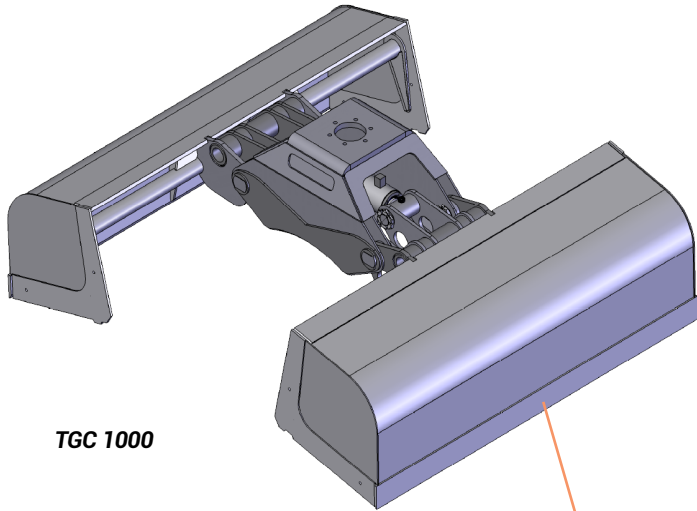
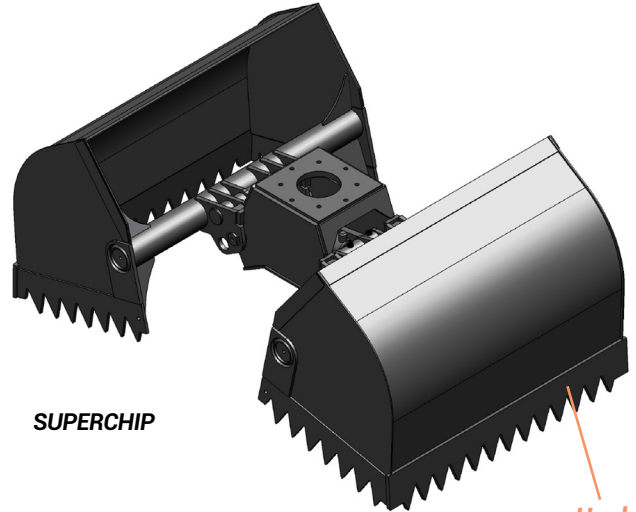


# Wood chip grabs



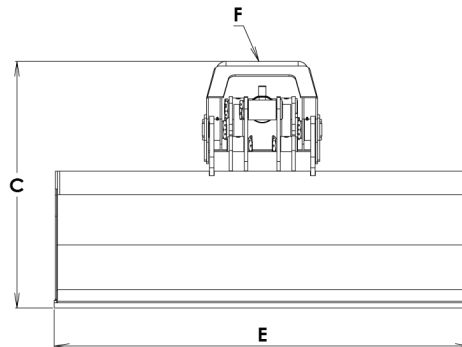
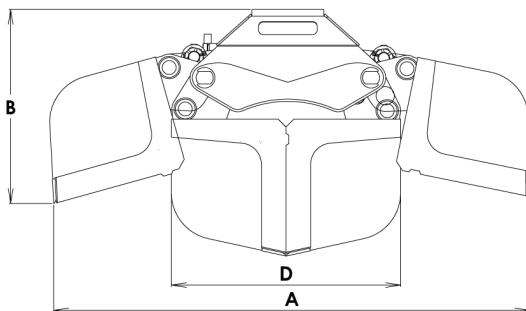
**TGC 1000**

Hardox



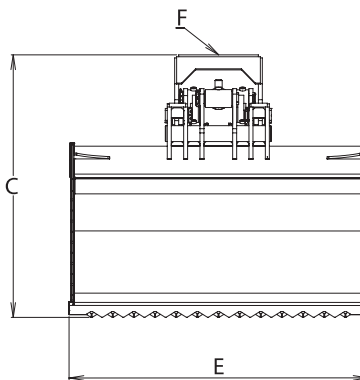
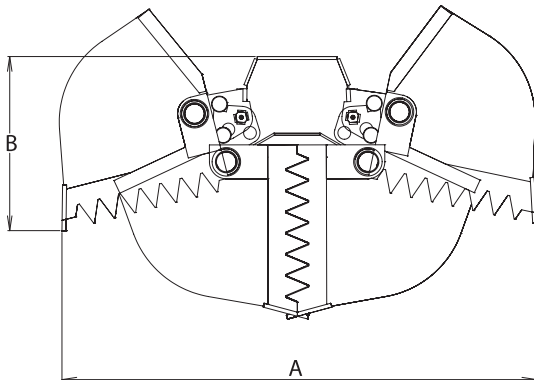
**SUPERCHIP**

Hardox



TGC 1000

<b>A</b>	2110
<b>B</b>	870
<b>C</b>	1105
<b>D</b>	1020
<b>E</b>	1850
<b>F</b>	173/6-17



Superchip

<b>A</b>	2340
<b>B</b>	904
<b>C</b>	1317
<b>E</b>	1500

**MODEL SPECIFICATIONS**



<b>TGC 1000</b>	663	1000	250	70	20	17	1,5	-
<b>Superchip</b>	710	1500	300	60	16	20	3	20

**KEY FEATURES**

- Wood chip grab
- Heavy duty
- High pressure cylinder with double piston rod seals
- High tensile wear resistant steel (400 HB)