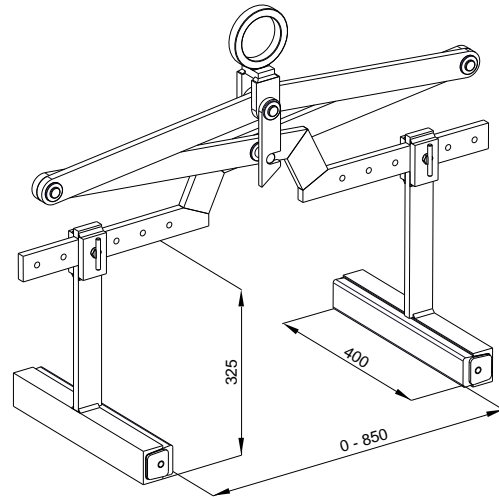




Curb stone clamp TTK



- Construction according CE

Type	Weight	Capacity	Price
TTK	20 kg	300 kg	€ 800,00

Accessories:	Price
Link	€ 225,00
Link excavator	€ 415,00
Rotator CX 20 2000 kg (Ø 39,5 mm)	€ 540,00
Rotator CX 30 3000 kg (Ø 49,5 mm)	€ 655,00