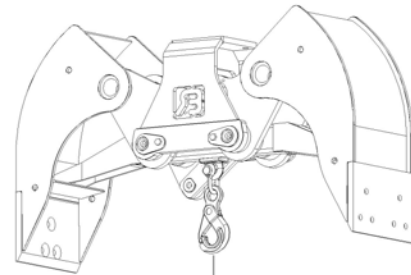


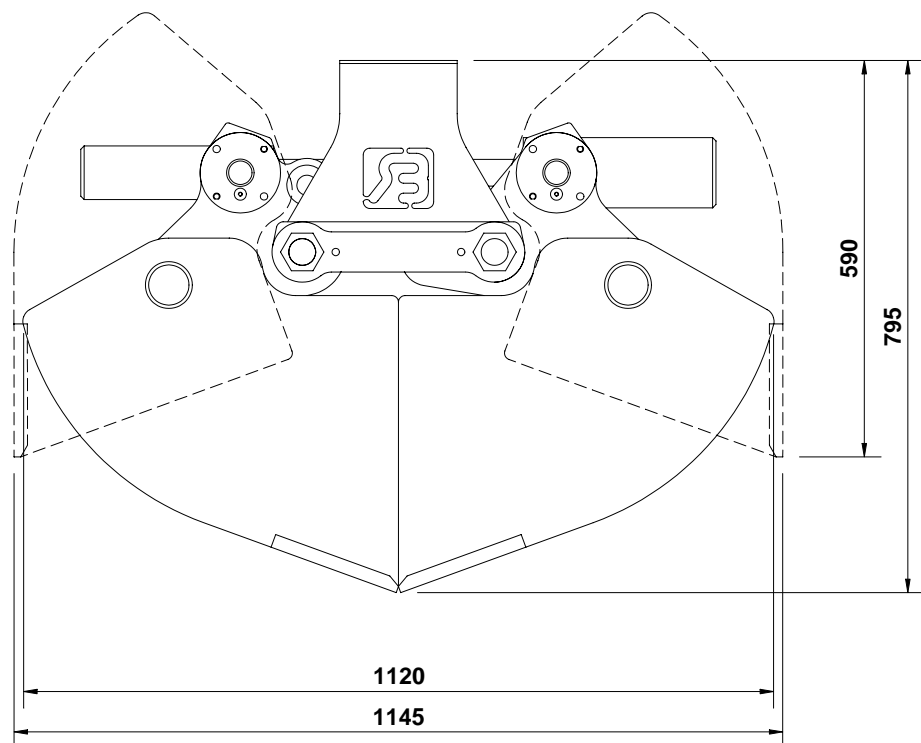


TECHNICAL DATA:

- Grab type : **HBD**
- Width : 30 cm 50 cm
 40 cm 60 cm
- Capacity : 95 L 155 L
 125 L 190 L
- Weight : 205 kg 225 kg
 215 kg 235 kg
- Max. working pressure : **250 Bar**
- Press strength : **50 kN.**
- Max. hoisting load :

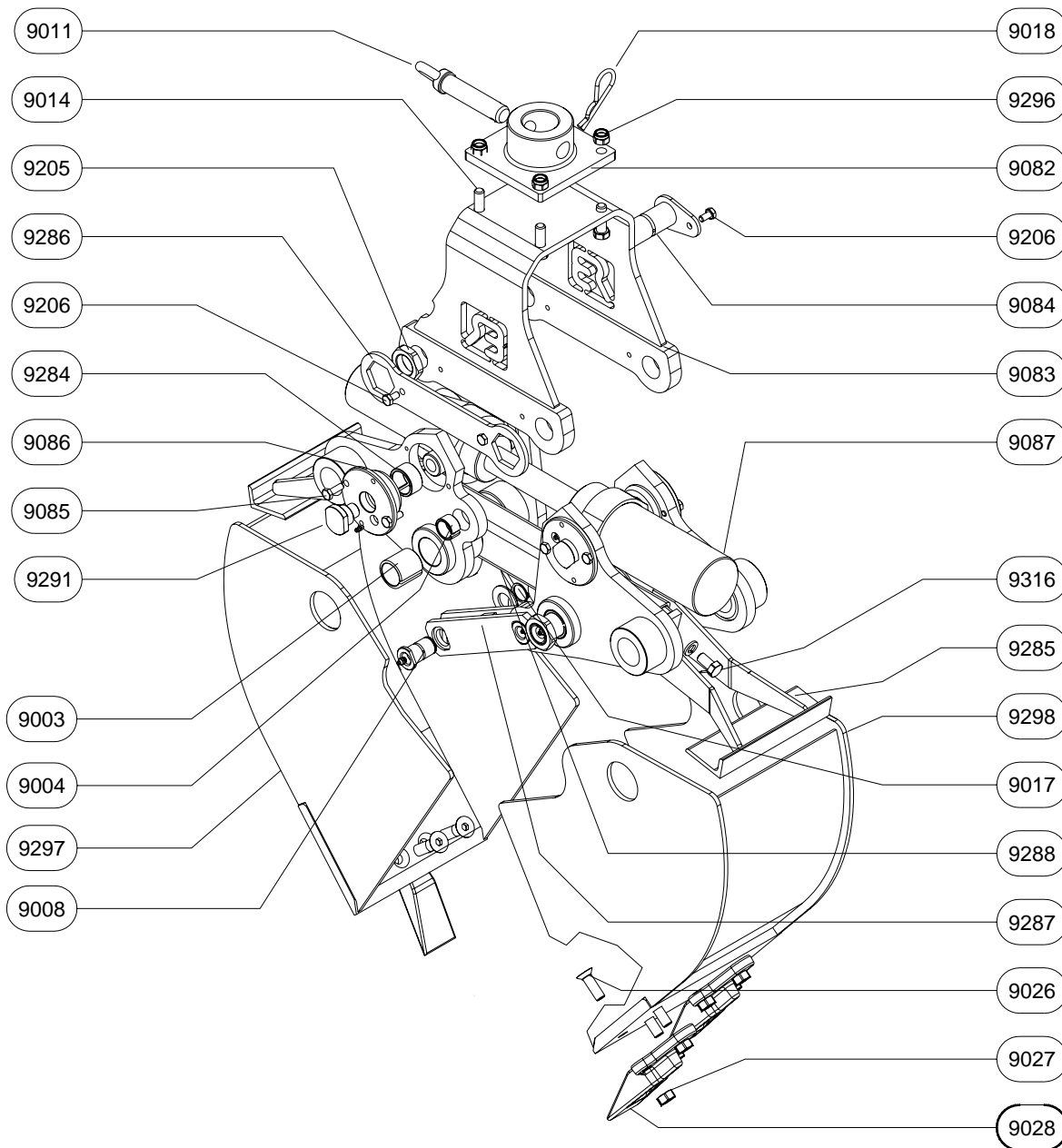


3,2 T.





HBD Grab



SPARE PARTS

PART N°	QUANTITY	SPECIFICATION
HBD-9003	4	SPLIT BUSH
HBD-9004	2	SPLIT BUSH
HBD-9008	2	PIN
HBD-9011	1	CONECTOR PIN
HBD-9017	2	CIRCLIP
HBD-9018	1	HAIRPIN SPRING
HBD-9026	zie tabel	BOLT
HBD-9027	zie tabel	NUT
HBD-9028	zie tabel	TEETH
HBD-9082	1	CONNECTOR PLATE
HBD-9083	1	SADDLE PLATE
HBD-9084	2	SHAFT
HBD-9085	8	BOLT
HBD-9086	4	FLANGED BUSH
HBD-9087	1	CYLINDER
HBD-9205	2	NUT
HBD-9206	4	BOLT
HBD-9207	8	SPRING WASHER
HBD-9284	4	SPLIT BUSH
HBD-9285	2	EJECTOR
HBD-9286	1	LOCKING SPANNER
HBD-9287	1	STADY LINK
HBD-9288	1	BASE OF EJECTOR
HBD-9291	4	SECURING BOLT
HBD-9294	4	SPRING WASHER
HBD-9296	4	NUT
HBD-9297	1	SIDE PANEL A
HBD-9298	1	SIDE PANEL B
HBD-9316	4	BOLT
HBD-9414	4	BOLT

Grab type	HBD 30	HBD 40	HBD 50	HBD 60
Number HBD 9026/9027	9	9	15	15
Number HBD 9028	3	3	5	5